

REPLACEMENT BOW AND BAY WINDOW SYSTEM MEASURING AND ORDERING INSTRUCTIONS

Determine configuration of Bow or Bay window system desired. All measurements should be taken at three points. Use smallest measurement. (This will assure a better fit for out of square openings. Note: Interior casing trim must be removed to obtain correct measurements.) All orders must be received on Lockheed Bay and Bow window system order form. Cable support systems will be, by default, utilized with all Bay/Bow windows system installations. (See separate Bay/Bow cable support instructions.)

JAMB WIDTH:

Measure from surface of interior wall to applicable exterior position. (See Dimension C; reference Dimensions D, E, & F).

1. Installation with exterior siding:
Measure from interior plaster opening to exterior of sheathing (See Dimension D)
2. Installation with brick exterior:
Measure from interior plaster opening to old caulk line or to brick mold. (See Dimensions E & F).
3. Installation where exterior weather trim is to be replaced:
Measure from interior wall surface to exterior of sheathing. (See Dimension H).

WIDTH OF BUCK:

Measure rough opening from jamb stud to jamb stud being sure to use the smallest measurement. (See Dimension A).

HEIGHT OF BUCK:

Measure rough opening from header to sill being sure to use smallest measurement. (See Dimension B).

PROJECTION:

Overall size, Bow and/or Bay configuration, and angle of mullions will determine the projection required. (See Dimension G).

MANUFACTURED SIZE:

To determine the actual bow and bay buck manufactured size, the following cutbacks will be applied to the opening dimensions:

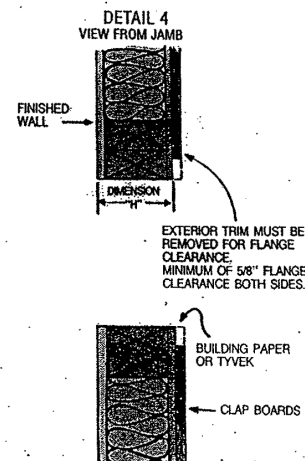
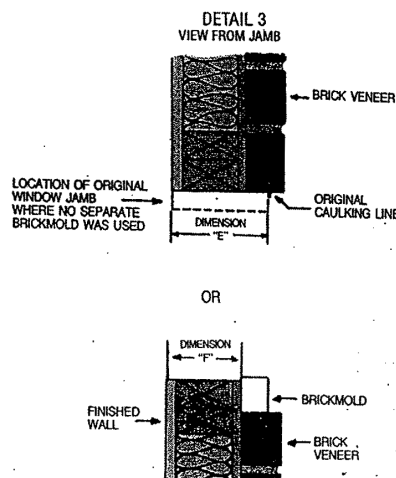
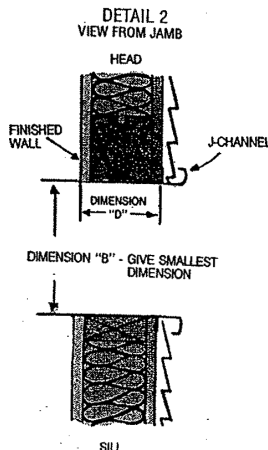
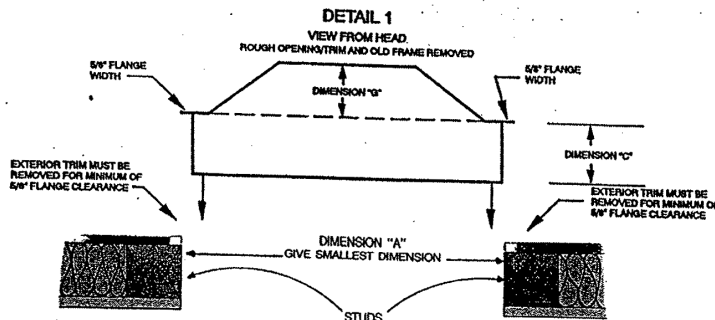
WIDTH: From opening width dimension deduct 1". Hold size if it finishes on any 1/8". If it does not; drop back to the nearest 1/8".

Example: Opening width dimension is 120-3/16". Deduct 1", = 119 -3/16". Drop back to the nearest 1/8". Therefore the finished buck width will be manufactured at 119-1/8".

HEIGHT: From opening height dimension deduct 1/2". Hold size if it finishes on any 1/8". If it does not; drop back to the nearest 1/8".

Example: Opening height dimension is 64-3/16". Deduct 1/2", = 63-11/16". Drop back to the nearest 1/8". Therefore the finished buck height will be manufactured at 63-5/8".

PROJECTION: Projections are governed by the size and configuration of the window system ordered.

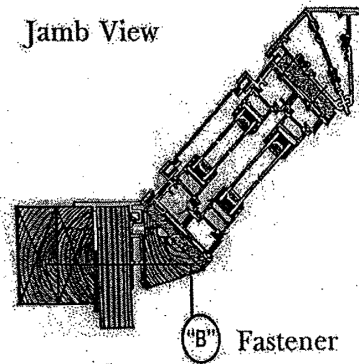
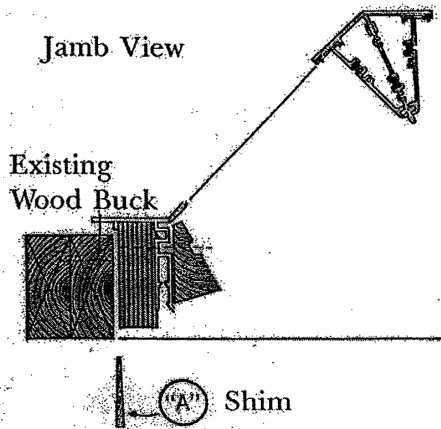


REPLACEMENT BOW AND BAY WINDOW INSTALLATION INSTRUCTIONS

INSTALLATION INSTRUCTIONS (READ THOROUGHLY BEFORE BEGINNING)

Before starting installation be sure that system will be sufficiently supported so as not to allow sagging. If system has a projection exceeding 10" from exterior surface of wall, cable support system and/or support brackets are required.

1. Install Bay/Bow wood buck into cleared opening. Be sure that wood buck is not installed "upside down". All existing window frames; jambs, head, mullions and sill should be discarded. Secure new wood buck unit into completely clear wood buck opening. Shim as required into existing opening. (SEE DETAIL A). All window systems with a projection exceeding 10" from exterior surface of wall must be supported at time of installation. Cable support systems are included with Bay/Bow window system at time of order.
2. Good practice dictates that the new bay or bow unit should be fastened through head, jamb and seat boards. Fastener types and size should be determined at time of installation depending on actual field conditions. (SEE DETAIL B for fastener location of bay/bow jamb into existing opening). Head and sill should be fastened in similar fashion.
3. Check sash and/or vent(s) for proper operation. Window frames must be plumb and square. Adjust and shim wood buck as necessary.



(45° Bay unit is depicted above)

Note: Fasteners are supplied and installed by dealer/contractor. Specifications subject to change without notice.

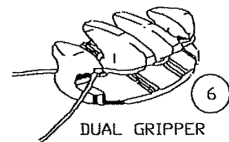
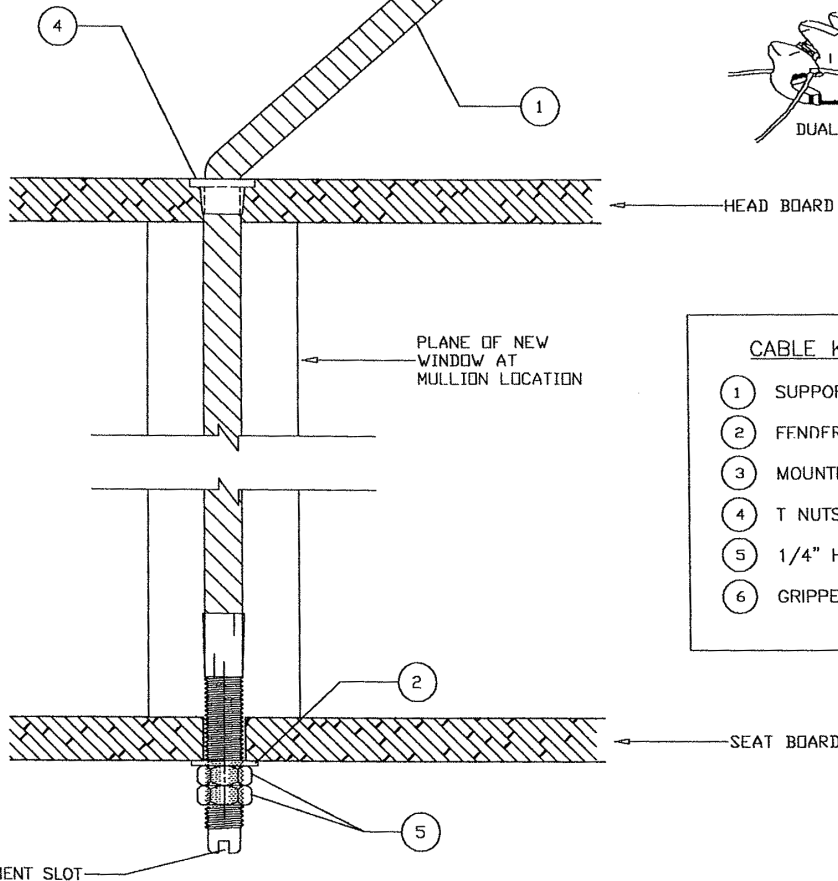
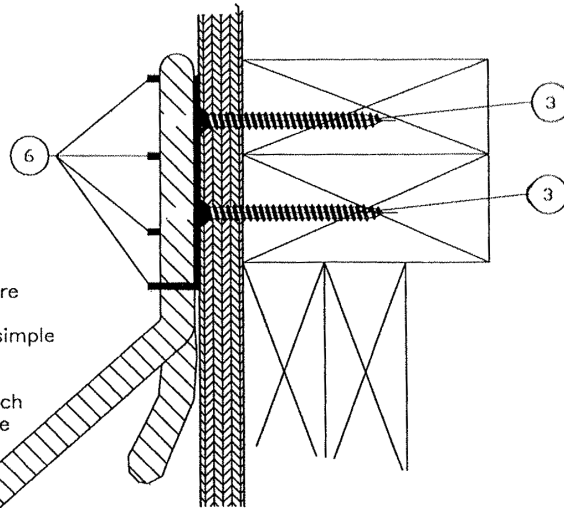
REPLACEMENT BOW AND BAY FACTORY INSTALLED CABLE SUPPORT INSTRUCTIONS

When you install bay and bow windows you need a support system that is:

- * dependable
- * strong
- * easy to install

Our Cable Support System provides adjustable support for projecting window units. When installed this proven system distributes the window load to the solid structure portion of the building. Our Bay/Bow Support system also helps in leveling the unit during installation in a simple and easy to use manner.

Note: Cable Support Systems come fully installed in each unit when specified. Simply install the the gripper, route cables and adjust.



- | CABLE KIT INCLUDES | |
|--------------------|----------------------------|
| ① | SUPPORT CABLE ASSEMBLY (2) |
| ② | FENDER WASHER (2) |
| ③ | MOUNTING SCREWS (4) |
| ④ | T NUTS (2) |
| ⑤ | 1/4" HEX NUTS (4) |
| ⑥ | GRIPPERS (2) |

Caution: Always use additional means of supporting the window during installation of Support Systems.