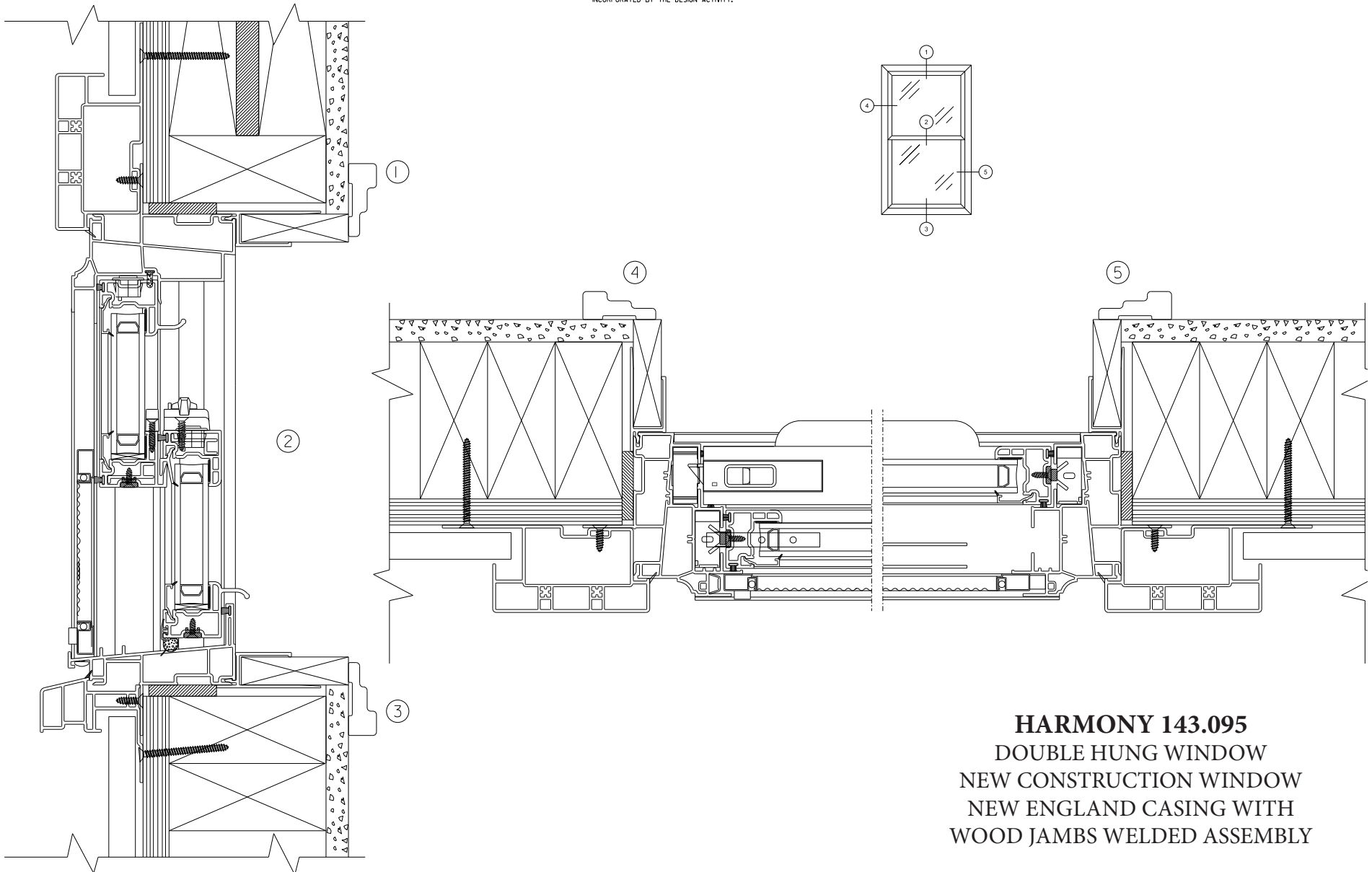


UNLESS OTHERWISE SPECIFIED, DIMENSIONS SHALL BE INCORPORATED BY THE DESIGN ACTIVITY.



HARMONY 143.095
DOUBLE HUNG WINDOW
NEW CONSTRUCTION WINDOW
NEW ENGLAND CASING WITH
WOOD JAMBS WELDED ASSEMBLY

NOTE: WINDOW DESIGNS PROPERTY OF DECEUNINCK NORTH AMERICA

SPECIFICATIONS SUBJECT TO CHANGE WITHOUT NOTICE

Form: Slocomb 40. 2018